

DESCRIPTION

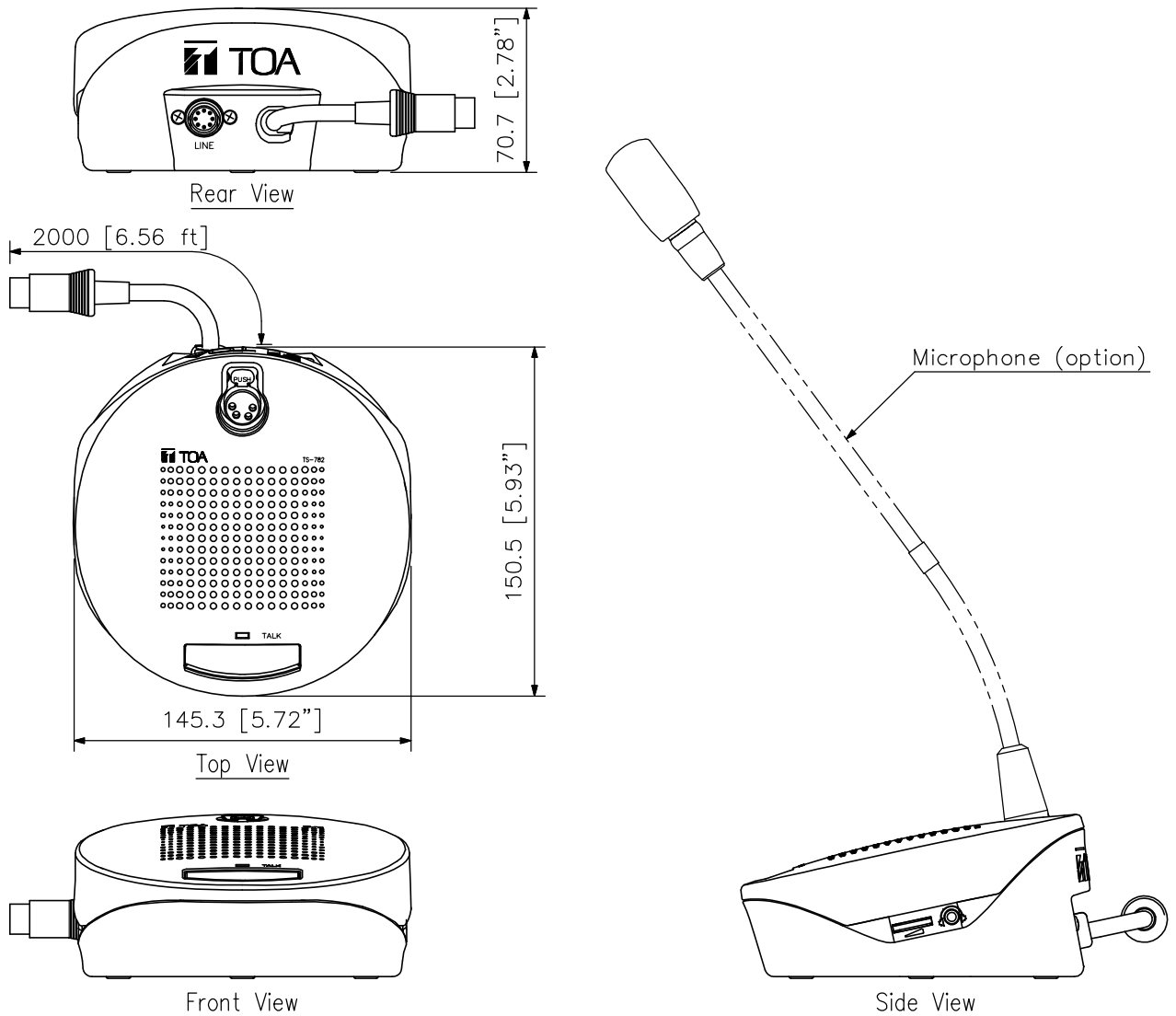
The TS-782 is a Delegate unit for TOA Conference system, of which compact and lightweight design makes it easy to install and store. Placing the speech button in the ON position permits speech and disables the speaker to prevent feedback. If the speech button is placed in the OFF position, the microphone cannot be used but the speaker is turned on, allowing the voices from other conference units to be monitored. Two types of dedicated microphones are made available for the TS-782 as optional products: the TS-773 standard type and the TS-774 long type.

SPECIFICATIONS

* 0 dB = 1 V

Power Source	36 V DC, 30 mA or less (supplied from the Central Unit TS-780)
Output	Headphones/Recording: 32 Ω (headphone)/10 kΩ, -20 dB* (recording), unbalanced, mini jack (with VR) × 2 Internal speaker: 130 Ω, 200 mW (with Volume control)
Control	Speech button: Microphone, speaker on-off control by speech switch
Operating Temperature	0 °C to +40 °C (32 °F to 104 °F)
Operating Humidity	90 %RH or less (no condensation)
Finish	Upper case: ABS resin, silver metallic, paint Lower case: ABS resin, black
Dimensions	145.3 (W) × 70.7 (H) × 150.5 (D) mm (5.72" × 2.78" × 5.93")
Weight	800 g (1.76 lb)
Option	Extension cord: YR-780-2M, YR-780-10M Microphone: TS-773 (standard), TS-774 (long) (select either one)

APPEARANCE



UNIT:mm SCALE:1/3