

DESCRIPTION

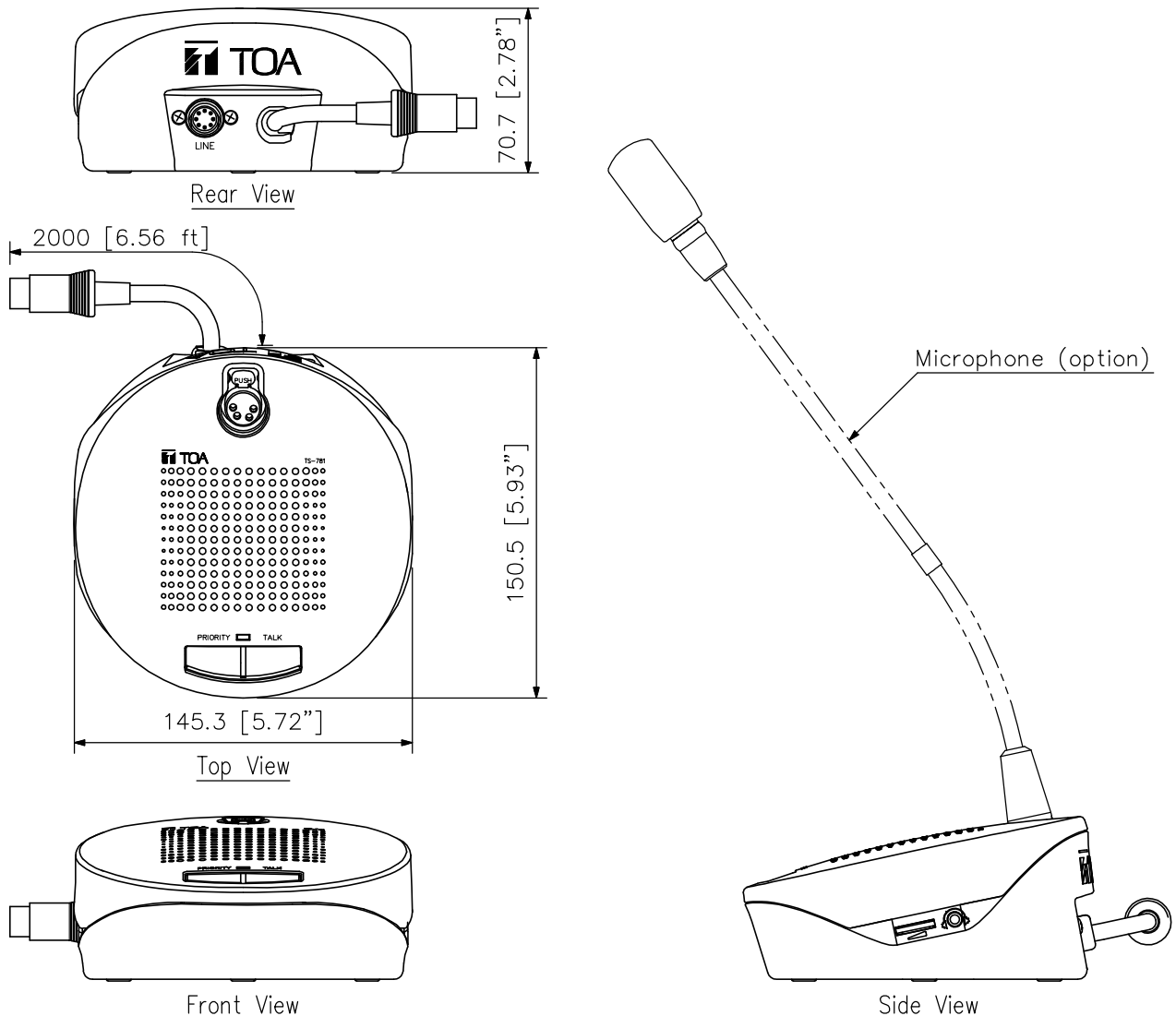
The TS-781 is a Chairman unit for TOA Conference system, of which compact and lightweight design makes it easy to install and store. Placing the speech button in the ON position allows a chairman to speak and disables the speaker to prevent feedback. If the speech button is placed in the OFF position, the microphone cannot be used but the speaker is turned on, allowing the voices from delegate units (TS-782) to be monitored. By pressing the priority button, the chairman unit can take precedence over any delegate units. Two types of dedicated microphones are made available for the TS-781 as optional products: the TS-773 standard type and the TS-774 long type.

SPECIFICATIONS

\* 0 dB = 1 V

|                       |  |
|-----------------------|--|
| Power Source          | 36 V DC, 30 mA or less (supplied from the Central Unit TS-780)   |
| Output                | Headphones/Recording: 32 Ω (headphone)/10 kΩ, -20 dB* (recording), unbalanced, mini jack (with VR) × 2<br>Internal speaker: 130 Ω, 200 mW (with Volume control)              |
| Control               | Speech button: Microphone, speaker on-off control by speech switch<br>Priority button: Microphone, speaker on-off, other microphone cutoff, and single-tone chime activation |
| Operating Temperature | 0 °C to +40 °C (32 °F to 104 °F)   |
| Operating Humidity    | 90 %RH or less (no condensation)   |
| Finish                | Upper case: ABS resin, silver metallic, paint<br>Lower case: ABS resin, black  |
| Dimensions            | 145.3 (W) × 70.7 (H) × 150.5 (D) mm (5.72" × 2.78" × 5.93")  |
| Weight                | 800 g (1.76 lb)  |
| Option                | Extension cord: YR-780-2M, YR-780-10M<br>Microphone: TS-773 (standard), TS-774 (long) (select either one)  |

APPEARANCE



UNIT: mm SCALE: 1/3