

ACT-70T Wideband Bodypack Transmitter

Key Features

- Ultra slim bodypack transmitter with sturdy magnesium alloy housing.
- On the top features mute switch, mini-XLR connector and antenna.
- Backlit LCD displays all operational parameter information.
- Innovatively designed battery cover allows easy access to operate buttons and prevents accidental operation.
- Mute button with remote-control jack for easy activation of mute function.
- Stable PLL circuits. Automatically synchronized with the receiver's frequency by MIPRO's patented ACT™ function.
- Can directly match to high-low input impedance for microphone or guitar without switching.
- The input sensitivity is adjustable with six selectable gain settings.
- Mini-XLR input with secure screw lock connector for lavaliers / headworn mics and guitar.
- Adjustable belt clip allows wearing transmitter in up or down position.
- High-efficiency circuitry design provides 12~14 hours of operation from 2 AA batteries (depending on the battery quality).

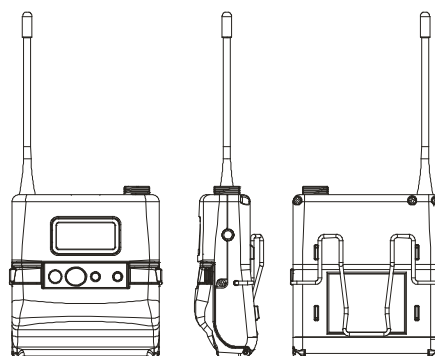


Microphones

MU-13	Single-sided Earworn Microphone (beige)
MU-23	Omni-directional Headworn Microphone (beige, fixed connector)
MU-23d	Omni-directional Headworn Microphone (beige, detachable cont)
MU-210	Uni-directional Headworn Microphone (beige, fixed connector)
MU-210d	Uni-directional Headworn Microphone (beige, detachable cont.)
MU-53L MU-53LS	Uni-directional Lavalier Microphone (black beige)
MU-55L MU-55LS	Omni-directional Lavalier Microphone (black beige)
MU-53HN MU-53HNS	Uni-directional Headworn Microphone (black beige)
MU-55HN MU-55HNS	Omni-directional Headworn Microphone (black beige)

Accessories

ASP-30	Aerobics Bodypack Pouch (Neoprene)
BC-100	Wireless Boundary Microphone
MJ-70	Remote Mute Switch
MU-40G	Instrument Cable
TC-18	Transmitter Shielding Storage Case



Technical Specifications

Frequency Range	US Band : 482~698 MHz EU Band : 482~790 MHz
Bandwidth	72 MHz
Oscillation Mode	PLL Synthesized
Channel Set-Up	ACT Sync
RF Output Power	10 mW 50 mW switchable (country dependent)
Spurious Emissions	< -55dBc
Gain Setting	+12dB, +6dB, 0dB, -6dB, -12dB, -18dB (6 settings) 0 dB = input microphone sensitivity
Max. Input Level	0dBV
Mute Connector	Optional MJ-70 remote mute switch
LCD Display	Group, Channel, Frequency, AF gain, Frequency band, RF power, Mute mode, Lock status, Battery status and error codes
Battery Type	2 AA alkaline
Current Consumption	High Power: approx. 161mA ; Low Power: approx. 120 mA
Dimensions	63 x 70 x 25 mm 2.5 x 2.8 x 1.0 " (W x H x D)
Weight	Approx. 78 g 2.7 oz, excluding batteries



MIPRO Electronics Co., Ltd

Headquarters: 814 Pei-kang Road, Chiayi, 60096, Taiwan
Tel: +886.5.238.0809 | Fax: +886.5.238.0803
www.mipro.com.tw | mipro@mipro.com.tw