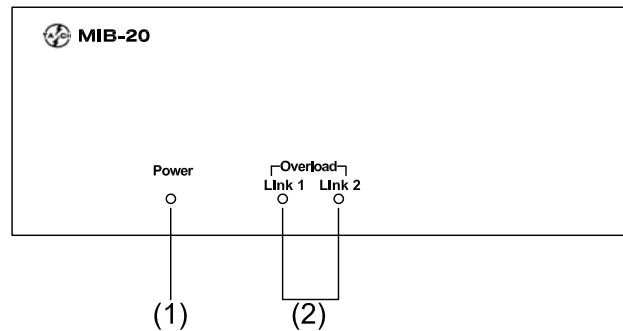
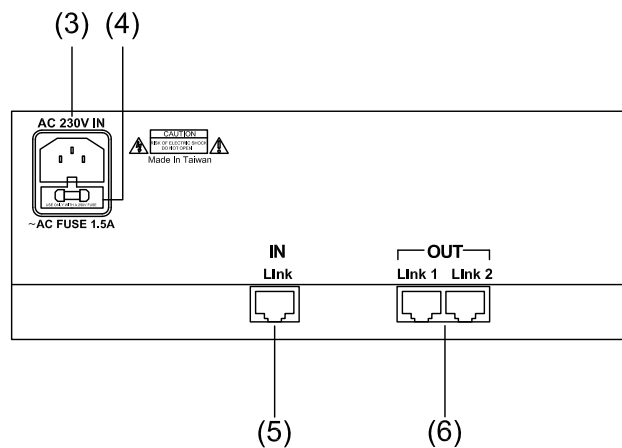


User Manual for MIB-20 Expansion Kit

FRONT PANEL



REAR PANEL



(1) Power Indicator.

(2) Overload Indicator – LED indicator lights up when overload or short circuit is detected.

Resolve the overload or short circuit problem, power off the conference system central control unit and wait for the overload indicator light to go off. When the overload Indicator goes off, restart the MIB-20 Expansion Kit and resume normal operation.

(3) AC Power Input: AC 230V/50Hz.

(4) AC Fuse 1.5A : Comes with 1 extra fuse.

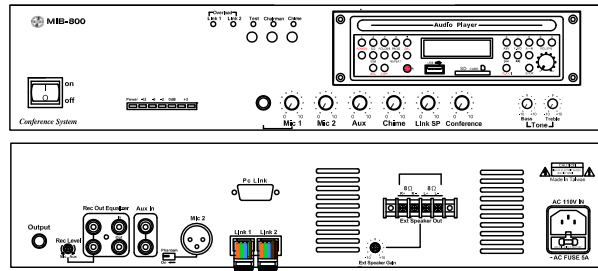
(5) RJ 45 Input: Connects to RJ45 Link 1 or Link 2 on the rear panel of MIB Central Control Unit.

(6) RJ 45 Output: Link 1 and Link 2 can separately connect to 10 units of Chairman/Delegate Conference Microphones. Each MIB-20 Expansion Kit can connect up to a maximum of 20 units of Chairman/Delegate Conference Microphones.

※**Accessories:** AC Power Cord x1; Cat. 5e Network Cable (5M) x1, (10M)x1.

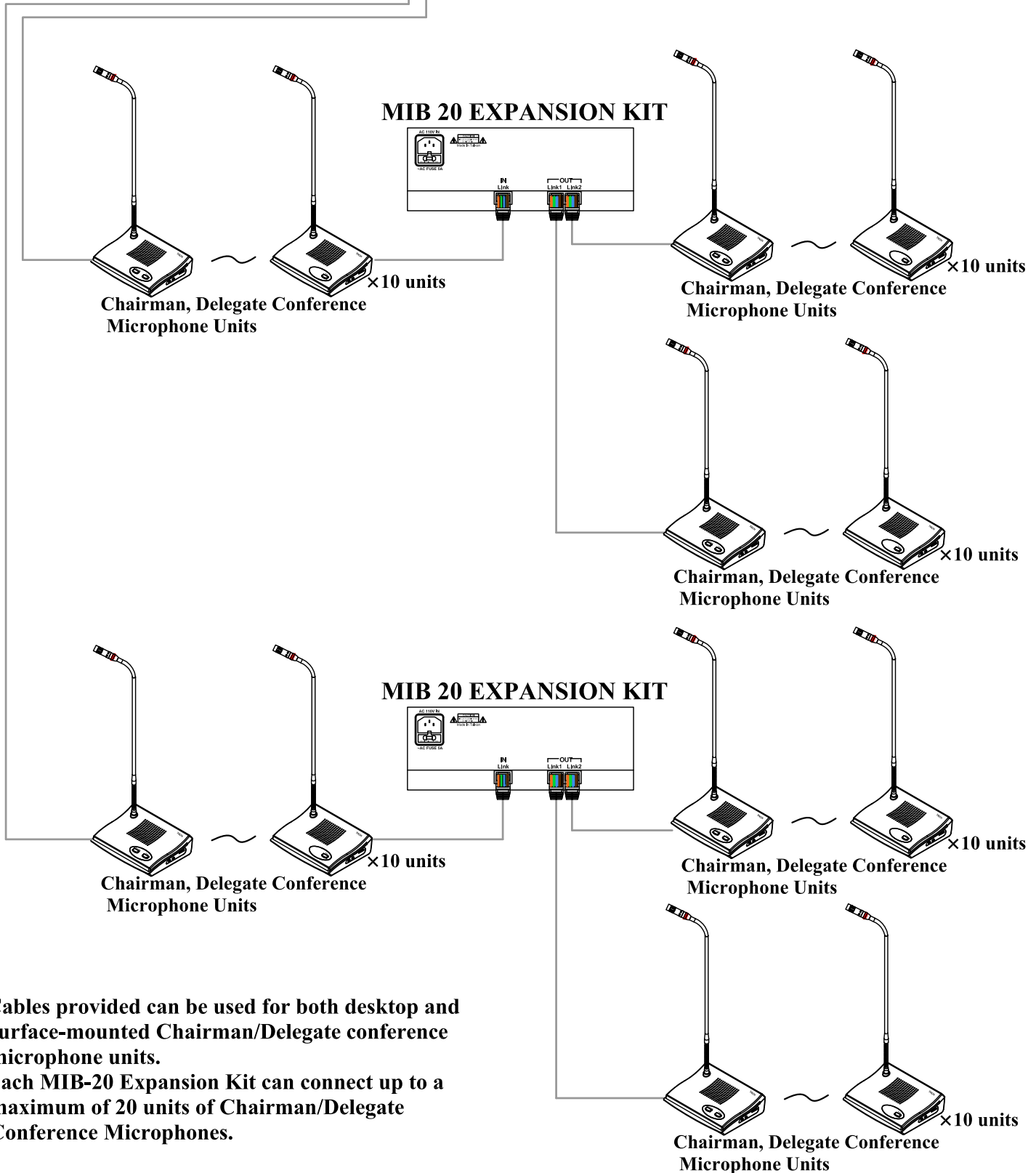
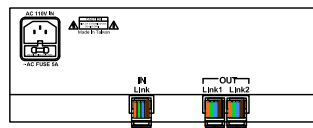
INSTALLATION & CONNECTION DIAGRAM FOR 60 UNITS OF CHAIRMAN/DELEGATE CONFERENCE MICROPHONES

MIB Central Control Unit



Cat. 5e Network Cable

MIB 20 EXPANSION KIT



- ※Cables provided can be used for both desktop and surface-mounted Chairman/Delegate conference microphone units.
- ※Each MIB-20 Expansion Kit can connect up to a maximum of 20 units of Chairman/Delegate Conference Microphones.